

Products > Aperture Wafers > A16.00

Aperture Wafers - A16.00

Specifications

| | |
|-------------------------|--------------|
| Model | A16.00 |
| Inside Diameter | .0038/.0040" |
| Outside Diameter | .1176/.1186" |
| Thickness | .0244/.0260" |
| Radius | .026/.035" |
| ID Length | .0017/.0019" |

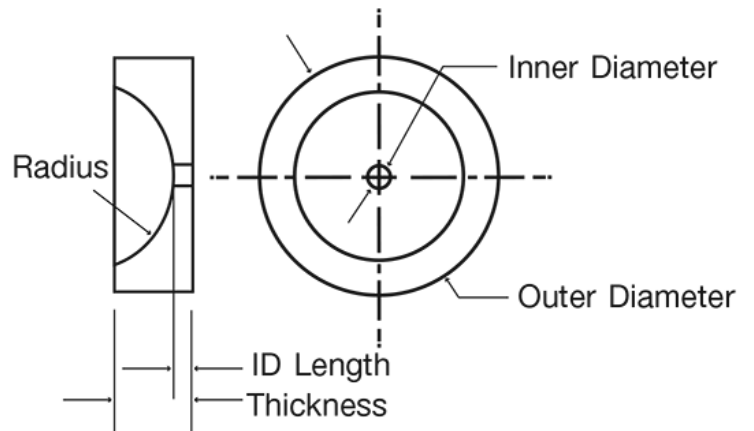


Description

Aperture Wafers are precision controlled orifices where the ID Length is controlled very tightly.

Typical Applications

- Hematology Instrumentation
- Ink Jet Printing
- Flow Control



NOT SEEING EXACTLY WHAT YOU NEED?

We specialize in creating a wide range of custom optical components and custom mechanical components including a variety of shapes - from internal holes and tapers to outer flanges, angles and surface finishes. Contact us and we will consult with you to create a custom component that meets all of your specifications.